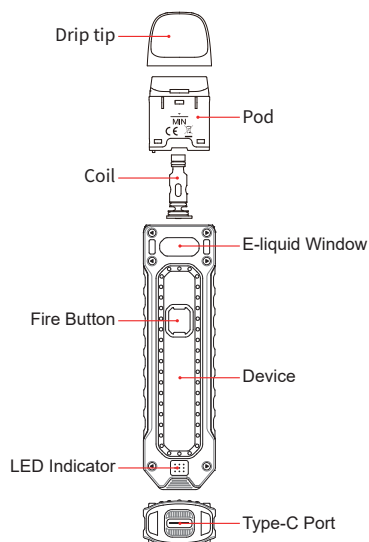


User Manual

CALIBURN TENET POD SYSTEM

©2022 By SHENZHEN UWELL TECHNOLOGY CO., LTD.
All Rights Reserved.

Illustration



Quick Guide

1. Take off the pod, remove the insulating film from the bottom, and put it back.
2. Remove the drip tip and fill e-liquid through the red filling port. Let the cartridge sit for 10 minutes before use.
3. Press the fire button 5 times in 2 seconds to turn on the device. Draw or press the fire button to vape.

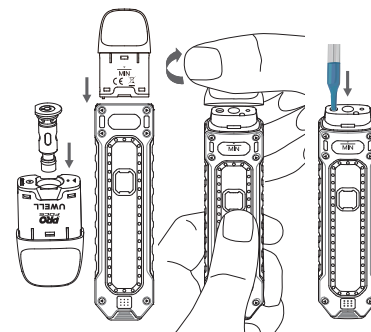
Specifications

- Materials: PA, Aluminum Alloy
- Dimensions: 110.9 mm x 25.1 mm x 16.3 mm
- Net Weight: 50.4 g
- E-Liquid Capacity: 2 ml
- Output Power: Maximum 16 W
- Coil Specifications:
 - FeCrAl UN2 Meshed 0.8 Ω CALIBURN G Coil
 - FeCrAl UN2 Meshed 1.2 Ω CALIBURN G2 Coil
 - FeCrAl 1.0 Ω CALIBURN G Coil (sold separately)
- Battery Capacity: 750 mAh

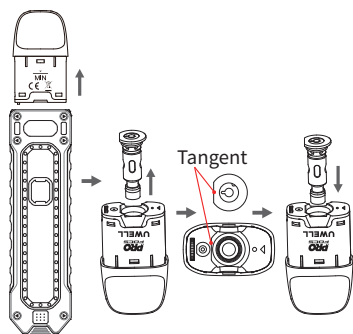
Instructions

1. Pod filling and coil (or pod) replacement

- a. Take the pod off the new device, remove the insulating film from the bottom of the pod, and put the pod back. Remove the drip tip in the direction shown in the following graphic. Fill the e-liquid into the red filling port, put the drip tip back, and the clicking sound hints at proper installation. Let the pod sit for 10 minutes before use.



- b. Take off the pod from the device, remove the used coil from the pod. Align the new coil's tangent with the coil insertion port's, and insert the new coil into the very end of the port of the cartridge (the parallel bottoms hint at proper insertion). Install the pod into the device.
- c. For CRC version, please replace pod. Take off the used pod from the device and install a new one back.



Attention:

- a. Please fill through the red filling port. Do not fill the e-liquid into the airway in the middle.
- b. Put the drip tip back as soon as the filling is done and make sure it is properly installed to prevent e-liquid leakage.
- c. After the first e-liquid filling, please let the product sit for 10 minutes to avoid coil burning.
- d. Please make a timely refilling when the e-liquid is under the "MIN" level.
- e. Make sure the e-liquid is under the MIN level when replacing the coil to prevent leakage.

2. Turn on/off

Press the fire button 5 times in 2 seconds to turn on/off the device, the LED indicator will flash 3 times in green.

3. Vaping

Vape by button or drawing when the device is powered on, and the LED indicator light stays on.

4. Button ignition function lock

Press the fire button 2 times in 2 seconds to lock/unlock the ignition function of the button, and the indicator light will flash 3 times in white as a hint.

5. Battery level indication:

During vaping, the indicator light flashes in green to indicate a more than 60% battery level, flashes in blue to indicate a 30%~60% battery level, and flashes in red to indicate a less than 30% battery level. The light flashes 10 times in red and the motor vibrates 3 times to indicate a low power, and the device will stop output.

6. Charging

The indicator lights up and the motor vibrates twice when connecting the Type-C cable properly. A red light indicates low battery power, a blue light indicates medium battery power, and a green light indicates sufficient battery power. The green light stays on and the motor vibrates once when the charging is done. The motor vibrates once when disconnecting the Type-C cable.

7. Protection and Indication

- a. Short-circuit protection: When short-circuit occurs, the indicator light flashes 3 times in red, the motor vibrates 3 times, and the device will stop output.
- b. Low voltage protection: When the power is low, the device will stop output to prevent the battery from over-outputting.

- c. Overtime protection: The indicator light flashes 5 times in green, the motor vibrates twice to indicate an over 8-second vaping, and the device will stop output.
- d. Open-circuit protection: When an open-circuit occurs under a no pod or disconnection situation, the indicator light flashes 3 times in blue, the motor vibrates twice, and the device will stop output.
- e. Pod connection indication: The indicator light flashes and the motor vibrates once to indicate the pod's proper connection to the device.

ATTENTION:

1. Please charge with the certified power adaptor (5V/2A) and USB cable.
2. Please remove the pod from the device and store it separately when you travel by air, for the air pressure change may cause leakage.
3. Avoid high temperature, low temperature, flammables, explosives, water, and humid environment during the use or storage of the product. Please do not keep the product with hard objects to avoid damage. Please charge the device at least once a month.